

8' PICNIC TABLE

CUTTING LIST

TABLE & BENCH BOARDS 16 @ 2"x4"x8'

LEGS 4 @ 2"x4"x38"

TABLE SUPP. 4 @ 2"x4"x40"

BENCH SUPP. 4 @ 2"x4"x60"

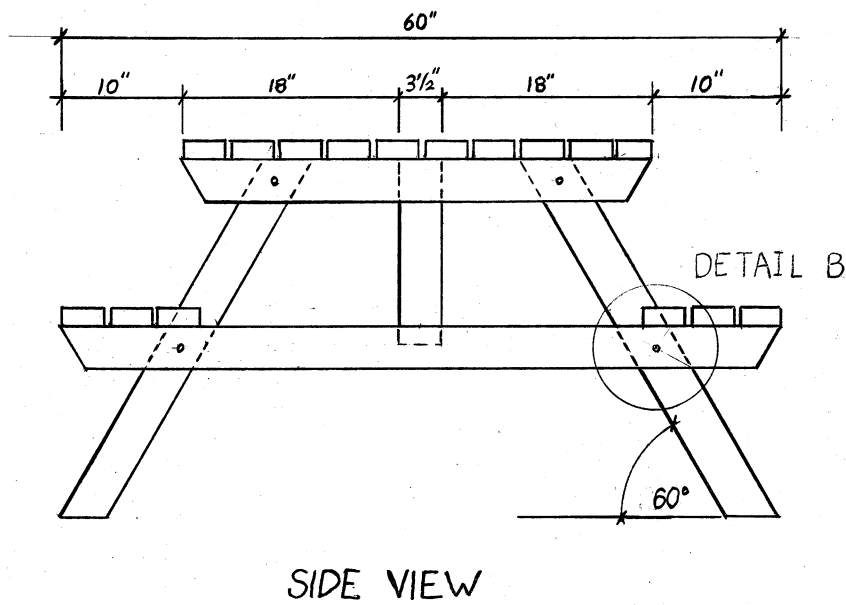
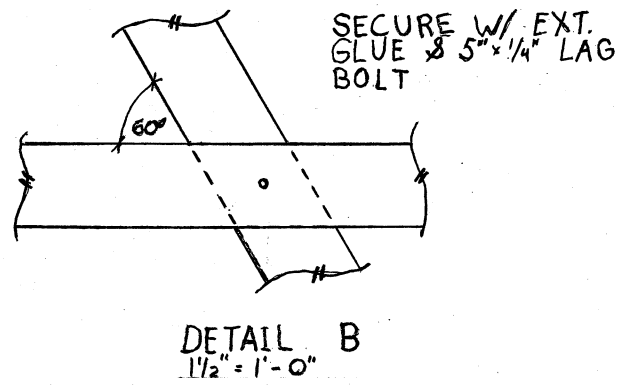
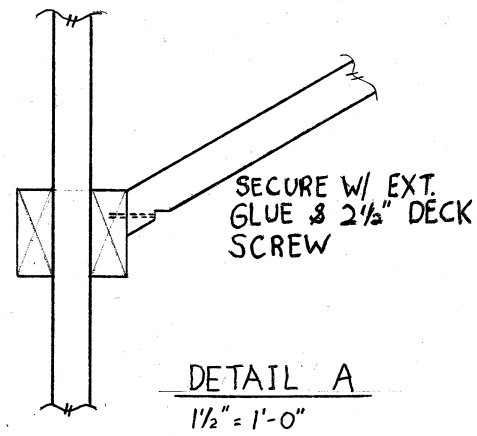
UPPER SUPP. 1 @ 2"x4"x40"

LOWER SUPP. 2 @ 2"x4"x11 1/2"

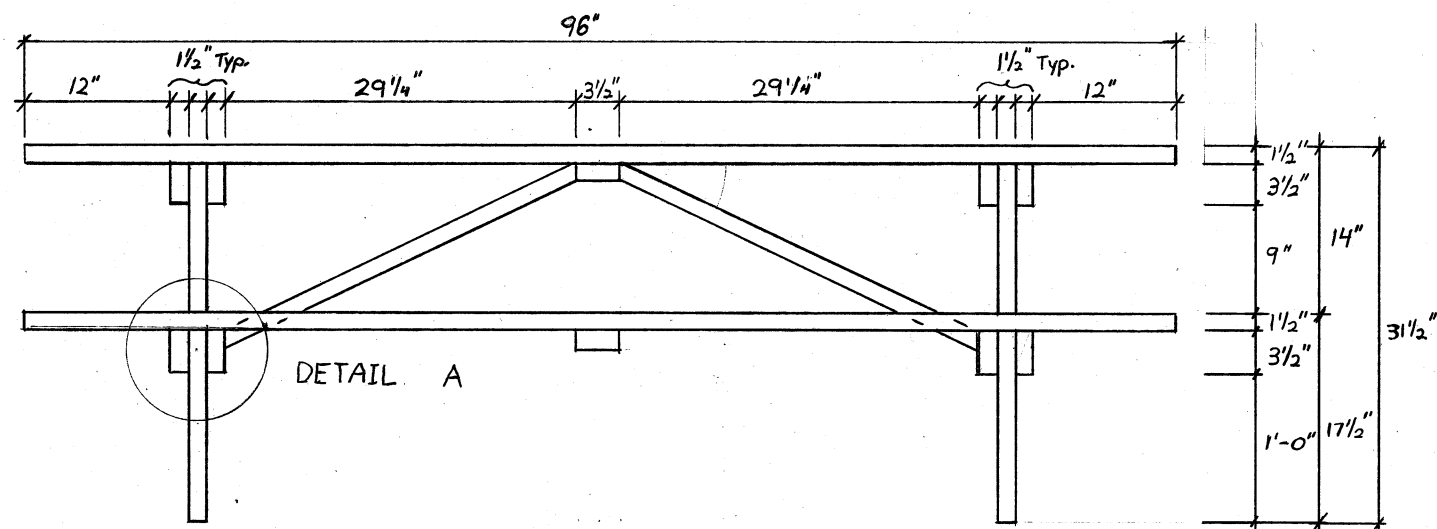
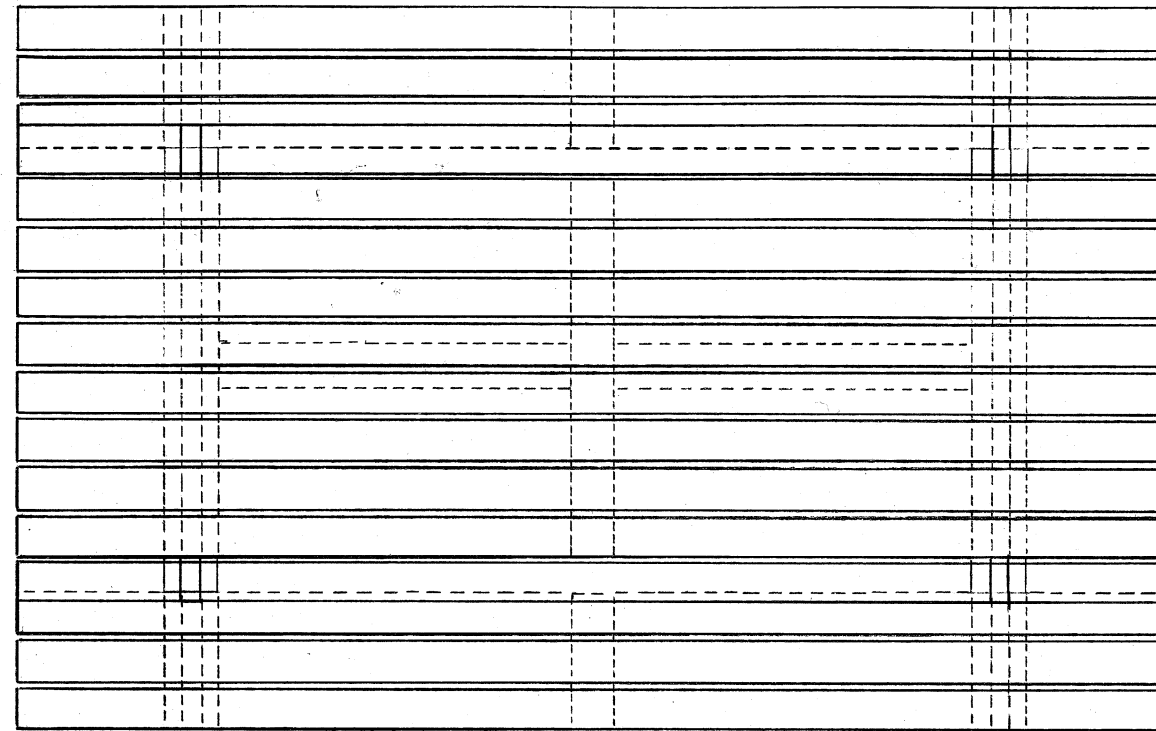
BRACE 2 @ 2"x4"x39 1/2"

MATERIALS LIST

- 22 @ 2"x4"x8'
- 2 @ 2"x4"x10'
- 8 - 5"x1/4" LAG BOLT W/
FLAT & LOCK WASHER
- 8 - 1/4" HEX NUTS
- EXT. GLUE
- 2 1/2" DECK SCREWS



TOP VIEW



TITLE: 8' PICNIC TABLE	SCALE: 3/4" = 1'-0"
DATE: APRIL 6 2008	